

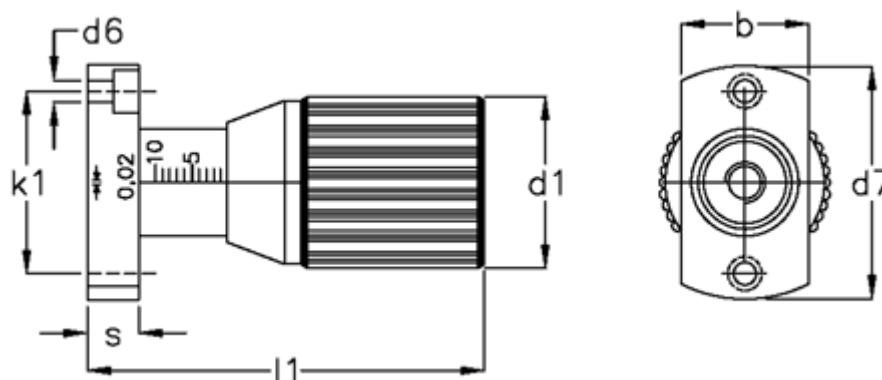
# Data Sheet



Article number: 20617432

Description: E+G Control knob w/adjustable spindle  
GN 727-27-A-SL - 10 rev. scale 0,1..0,9

## Measures



$b = 20$	$h = 4.3$
$d_1 = 27$	$k_1 = 28$
$d_2 = M 6$	$l_1 = 54$
$d_3 = M12x1$	$l_2 = 19.5$
$d_4 = 6.4$	$l_3 = 37.5$
$d_5 = 18$	$S = 10$
$d_6 = 4.3$	$W = 10$
$d_7 = 38$	